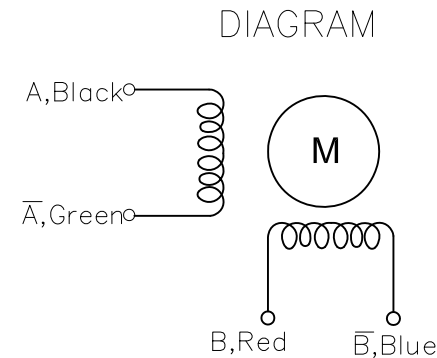
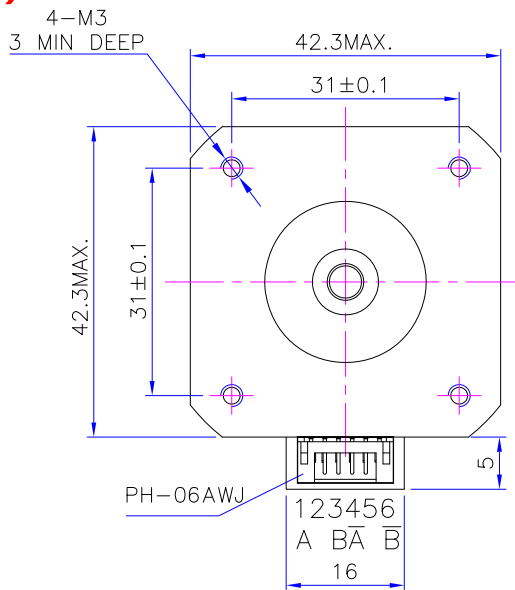
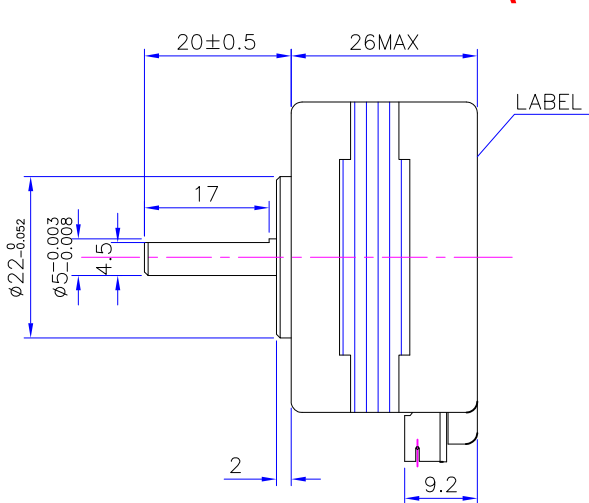
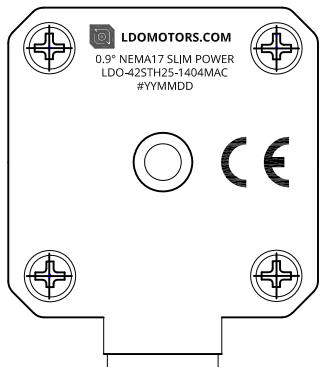


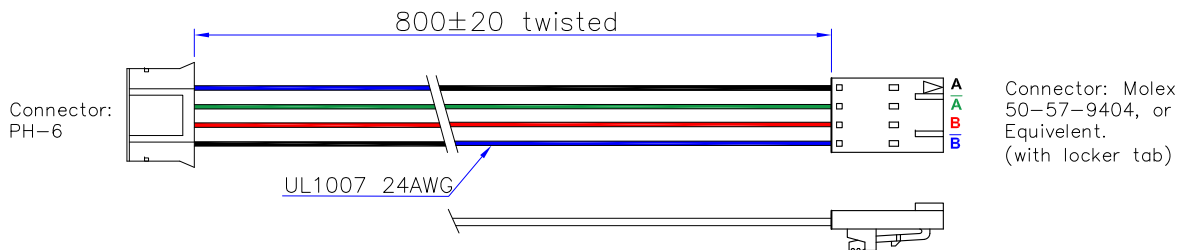
0.9° NEMA17 SLIM POWER (QLINK)



Label by laser engrave on back side.



Supply with detachable cable.



Items	Specs	Items	Specs	C	---	Shaft to 20mm.	SD XU	J.B.	12/5/19	
Phase Number	2 phases	Rotate Direction	A-B-Ā-B̄-A CW	B	---	Cable update.	SD XU	J.B.	2/11/19	
Step Angle	0.9°±5%	HI POT	AC600V/1mA/1S	A	---	New Release	SD XU	J.B.	1/30/19	
Resistance	2.4±15% ohm	Insulation Resistance	≥ 100 MΩ(DC 500V)	REV	ECN NO	Description	Made by	Approve	Date	
Rated Current	DC 1.4 A /Phase	Insulation Class	Class B				LDO MOTORS CO.,LTD 0.9° NAME17 SLIM POWER LDO-42STH25-1404MAC			
Holding Torque	≥18N.cm	Weight	0.15 Kg REF.							Scale
Inductance(1kHz)	5.5±20% mH			Des.	Check	Appr.	Date	Factory Code	217HTNB2002-27	page