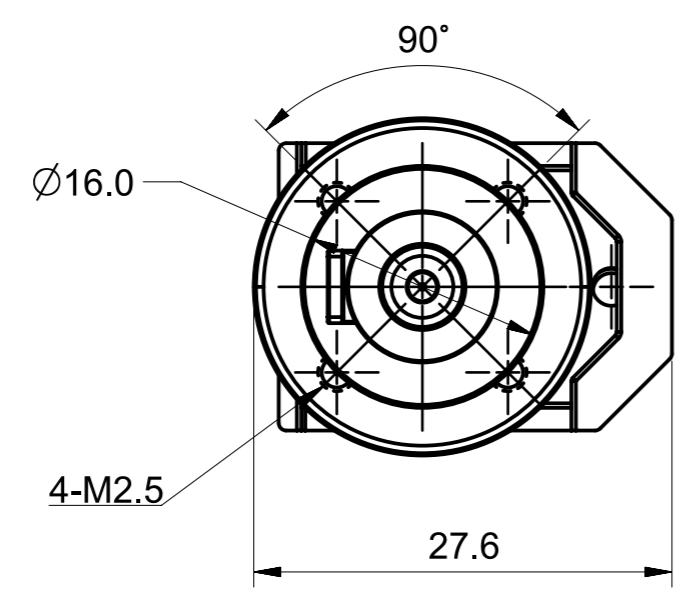


SECTION A-A



MATERIAL	DEFINED BY ORDER	SCALE	UNIT	mm
REV.	NUM.	DESCRIPTION	SIGN	DATE
DESIGN		AUDIT		
CHECK		APPROVE		
TECHNOLOGY				

TOLERANCE: X±0.2 X.X±0.1 X.XX±0.05 ANGLE±1°	KEY DIMENSIONS (CPK)	<b>Phætus®</b> DWG No:
	MAIN DIMENSIONS	
	FIRST ANGLE PROJECTION	

VERSION	A0	SHEET	1
SIZE	A3	NO. OF SH	1